

# PEC

- Dimensions for stacking with the European cubical containers.
- Side discharge outlet.
- Bottom with deep drawn shaped discharge to grant full product discharge.
- **With UN/ADR/RID approval for the transportation of dangerous products.**

## TECHNICAL FEATURES

Stainless steel cold-rolled AISI 304 tank (AISI 316 upon request), 2b finish. Cold-forged bottom covers with optimised shape, minimum thickness: 2 mm. Robotized TIG welding process. Pickled and passivated seams.

Hot dip galvanised steel DIN 45706 **protection frame** with **3 mm thickness**. Tank chamber with anti-vibration rubber pads. Palletised base with fork-slot for lift truck and hand pallet-trucks.

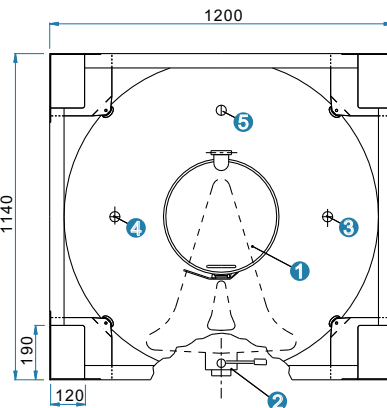
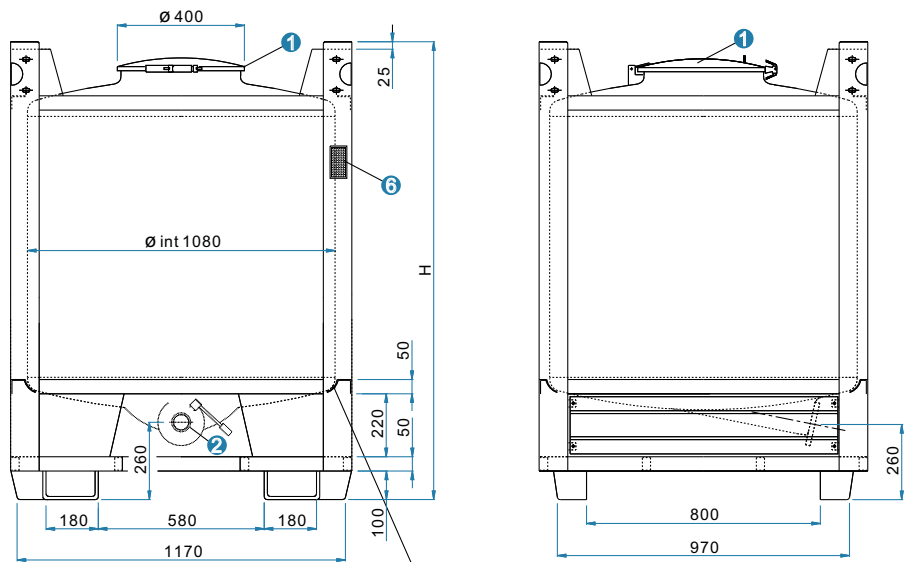
**Stacking (UN/ADR/RID standards):**  
Maximum **3** full superimposed **containers**.

**Transportable products (UN/ADR/RID standards):**

- Dangerous products, packaging classes II and III with vapour pressure, max 1.1 bar at 50° C.
- Max admissible specific weight: **1.8 Kg/dm<sup>3</sup>**.

## ACCESSORIES UPON REQUEST

- Different types of rapid fittings or nipples.
- Stirrers, washing systems, etc.
- Level gauges.
- Insulation and heating plates.
- For the models, without approval, it is possible to make dimensional changes and customised equipment to meet all needs.



## EQUIPMENT

- ① 400 mm. diameter manhole
  - Lid with clamp closure (standard)
  - Lid with six swing bolts (upon request)
- ② Ball or butterfly outlet, max diam. DN 80 (3")
- ③ 1" diam. threaded connection for safety valve:
  - Pressure relief valve (max press. 0.5 bar)
  - Double action (+ 0.5 bar / - 0.02 bar)
- ④ 2" threaded connection
- ⑤ Additional connection, max 3" diam. (upon request)
- ⑥ Identification plate
- ⑦ Rubber pads

MODEL	capacity liters	tare weight Kg	base thickness mm	height H mm	basic size mm
PEC 750	740	180	1.8	1420	1200
PEC 1000	997	200	1.8	1600	X
PEC 1250	1310	235	2.0	1950	1100